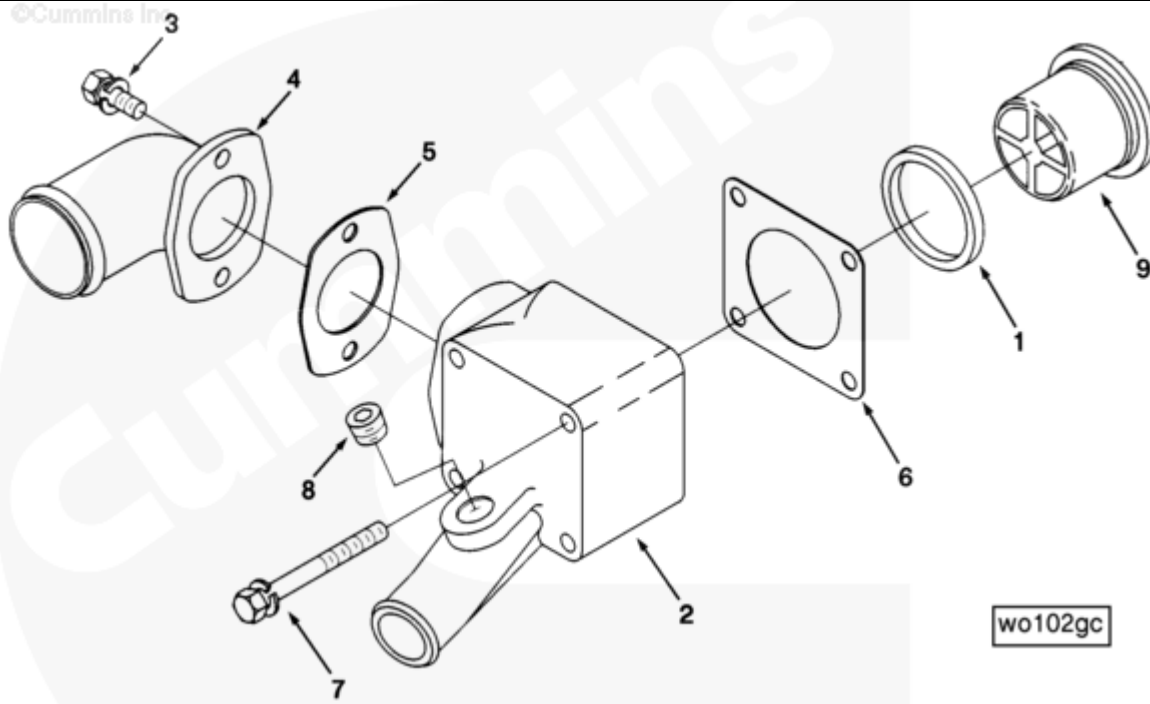




Parts Catalog - Option Detail

Electronic Parts Catalog - Option Detail				
Option	Group	Graphic	Film Card	Date
WO1004	08.07.1	wo102gc	F	15-MAR-94
Engines	NH/NT 855, NT495, NT743, NTA855 N106			



[SMALL](#) | [MEDIUM](#) | [LARGE](#)

Cart	Ref No	Part Number	Part Description	Required	Remarks
View My Cart					
		WO1004	Water Outlet Connection		
					Water Outlet Connection
					90 degree type, 2.25 inches
					outside diameter (57mm) water
					outlet connection mounted to
					right side of side outlet
					thermostat housing and
					pointing forward. Includes
					180-200degrees F. (82-93

					degrees C) thermostat used
					with heat exchanger cooling.
<input type="checkbox"/>	1	186780	Thermostat Seal	1	
	2	3013610	Thermostat Housing	1	
<input type="checkbox"/>	3	3010595	Captive Washer Cap Screw	2	3/8 - 16 X 1 in.
<input type="checkbox"/>	4	3018764	Radiator Connection	1	
<input type="checkbox"/>	5	3019158	Radiator Gasket	1	
<input type="checkbox"/>	6	208128	Thermostat Housing Gasket	1	
<input type="checkbox"/>	7	3010597	Captive Washer Cap Screw	4	3/8 - 16 X 3 3/4 in.
<input type="checkbox"/>	8	3013786	Pipe Plug	1	3/8 NPT.
<input type="checkbox"/>	9	3076489	Thermostat	1	